

Prototyping board accessories: Card handles

CARD HANDLE TYPE A

These card handles have provision for card identification, by means of a recess which may be covered by a clip-in window (supplied separately).

CARD HANDLE TYPE B

Differs from type A only in the means of attachment to the board. This handle has a clip-on feature which enables it to be assembled onto a PCB 1,6 mm thick which is pre-drilled with 2,6 mm dia. holes.

CARD HANDLE TYPE C

This handle has a clip-on feature, and is used for applications where a minimum of space is available on a PCB. Fixing hole dia. 2,6 mm.

Card Handles Type A, B and C Ordering information

Colour	Material	Order code		
		Type A	Type B	Type C
Black	Noryl	21-0246C	21-0252C	21-0240L
Grey		21-0247J	21-0253A	21-0241F
Red		21-0248D	21-0254G	21-0242A
Blue		21-0249K	21-0255B	21-0243G
Green		21-0250E	21-0256H	21-0244B
Yellow		21-0251L	21-0257C	21-0245H

Supplied in packets of 10

TYPE A & TYPE B ACCESSORIES Ordering information

Item	Unit of Sale	Order code
Window & label	Kit	22-0318F

Kits include 10 windows and label

CARD HANDLE TYPE D

These handles are made in a transparent makrolon material, so that the ident strip is readily visible from the front of the PCB. Supplied with 2 no. 4 self-tapping screws, this screw-on type handle also incorporates an identification strip.

Ordering information

Colour	Material	Order code
Clear	Polycarbonate	21-3170J
Amber		21-3171D
Red		21-3172K
Green		21-3173E
Blue		21-3174L

Supplied as a kit comprising 10 handles plus fixing

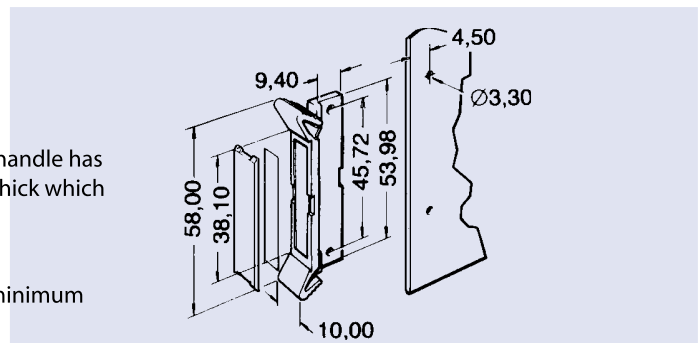
CARD HANDLE TYPE E (FLEXIBLE HANDLE)

By bowing out from the board, when pulled, this handle enables a positive grip for card extraction. When not in use handle projects forward from the board edge less than 2,5 mm, making these handles fully compatible with the requirements of DIN 41494. The front surface of the handle is flat and provides ample space for card identification.

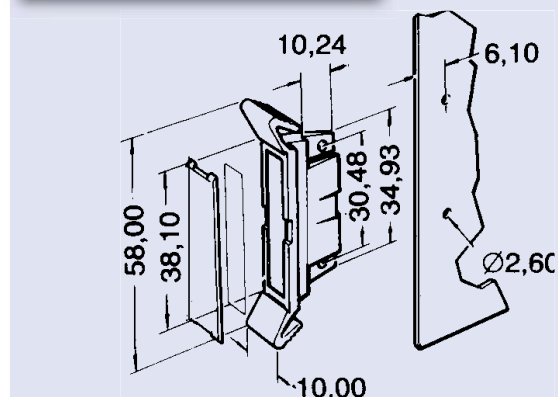
Ordering information

Colour	Material	Order code
Natural	Nylon 66	21-1884E
Red		21-1885L
Green		21-1886F
Yellow		21-1887A
Black		21-1888G
Blue		21-1889B

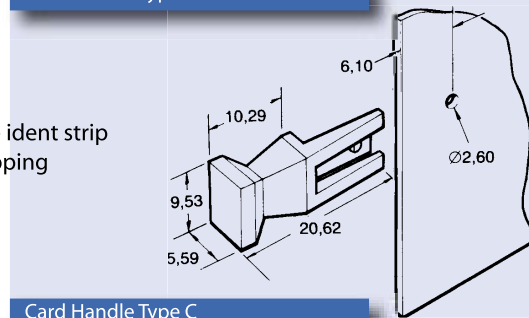
Supplied as a kit of 10 handles and 20 fixing pins



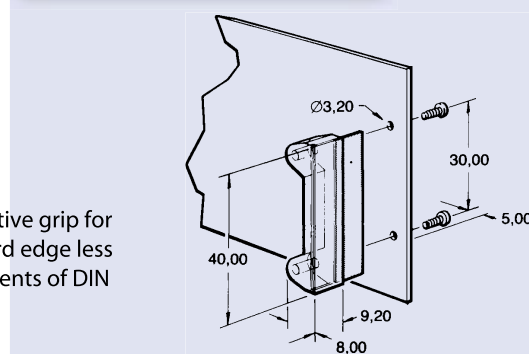
Card Handle Type A



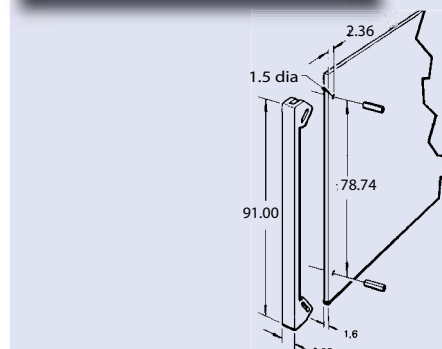
Card Handle Type B



Card Handle Type C



Card Handle Type D



Card Handle Type E